

OMIKRON TWIN

9950FTP160P65

EAN 4031582316773

Swivel castor, housing and plate steel-welded, zinc plated, blue passivated, sealed swivel bearing with dual purpose bearing and tapered roller bearing, threaded king pin and locking nut secured, grease nipple, wheel axle with nut, plate fitting. Wheel centre made of cast iron, Tread: Polyurethane, casted, precision ball bearing



BETTER MOBILITY. BETTER LIFE.

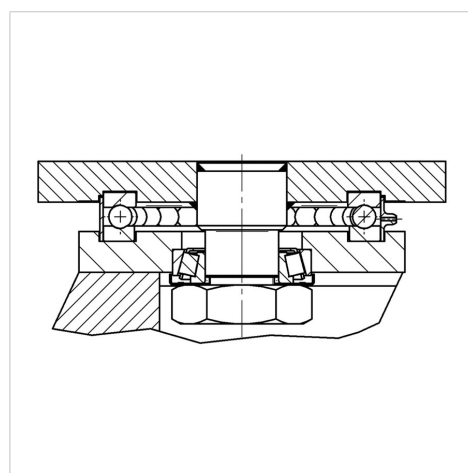


Picture may differ from original product

Technical Data

Wheel diameter	160 mm
Wheel width	50 mm
Castor width	189 mm
Size of Plate	200 x 160 mm
Plate hole centres	160 x 120 mm
Plate hole	15 mm
Dome-Ø	160 mm
Offset	55 mm
Swivel Interference	282 mm
Overall height	235 mm
Temperature	- 10 / + 60 °C
Standard	EN 12533
Weight	15.755 kg
Swivel Radius	141 mm
Hardness of tread	Shore D 42
Load capacity	1800 kg
Load capacity (static)	3600 kg

Structure & Mounting



Advantages at a glance

Roll performance	● ● ● ● ○
Movement noise	● ● ● ○ ○
Attrition	● ● ● ● ○
Corrosion resistance	● ● ● ○ ○

OMIKRON TWIN

9950FTP160P65

EAN 4031582316773



BETTER MOBILITY. BETTER LIFE.

Structure & Mounting

