

OMIKRON TWIN

9950FTP300P68

EAN 4031582316827

Swivel caster, housing and plate steel-welded, zinc plated, blue passivated, sealed swivel bearing with dual purpose bearing and tapered roller bearing, threaded king pin and locking nut secured, grease nipple, wheel axle with nut, plate fitting. Wheel center made of cast iron, Tread: Polyurethane, casted, precision ball bearing



BETTER MOBILITY. BETTER LIFE.

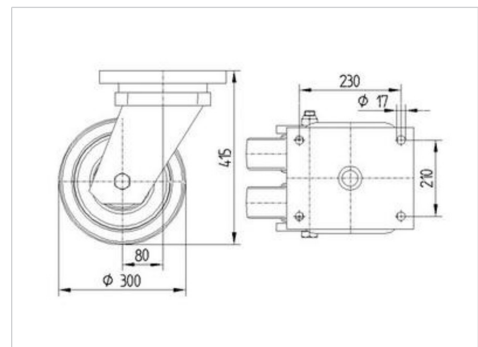


Picture may differ from original product

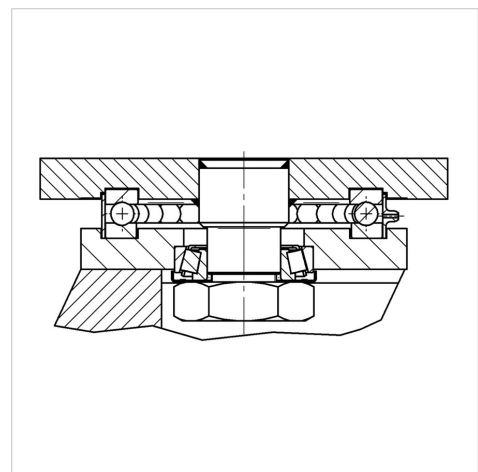
Technical Data

Wheel diameter	300 mm
Wheel width	80 mm
Caster width	272 mm
Plate size	270 x 250 mm
Plate hole centers	230 x 210 mm
Plate hole	17 mm
Dome-Ø	250 mm
Offset	80 mm
Swivel Interference	496 mm
Overall height	415 mm
Temperature	- 10 / + 60 °C
Standard	similar EN12533
Weight	66.898 kg
Swivel Radius	248 mm
Hardness of tread	Shore D 42
Load capacity (dynamic)	4000 kg
Load capacity (static)	8000 kg

Dimensions



Structure & Mounting



Advantages at a glance

Roll performance	● ● ● ● ○
Movement noise	● ● ● ○ ○
Attrition	● ● ● ● ○
Corrosion resistance	● ● ● ○ ○

OMIKRON TWIN

9950FTP300P68

EAN 4031582316827



BETTER MOBILITY. BETTER LIFE.

Structure & Mounting

