

OMIKRON TWIN

9950FTP400P68

EAN 4031582316841

Swivel caster, housing and plate steel-welded, zinc plated, blue passivated, sealed swivel bearing with dual purpose bearing and tapered roller bearing, threaded king pin and locking nut secured, grease nipple, wheel axle with nut, plate fitting. Wheel center made of cast iron, Tread: Polyurethane, casted, precision ball bearing



BETTER MOBILITY. BETTER LIFE.

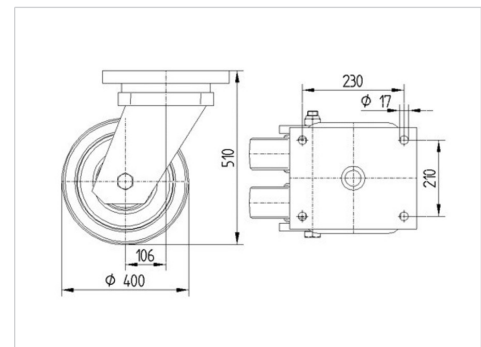


Picture may differ from original product

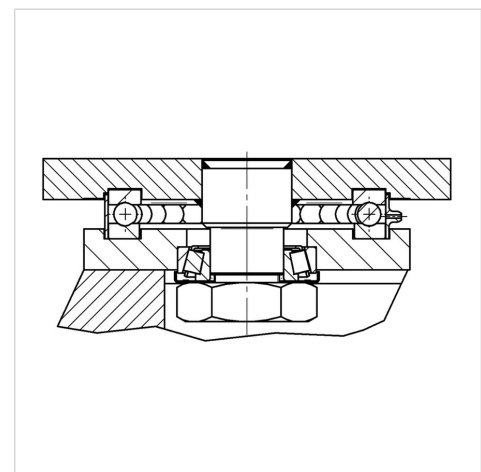
Technical Data

Wheel diameter	400 mm
Wheel width	80 mm
Caster width	285 mm
Plate size	270 x 250 mm
Plate hole centers	230 x 210 mm
Plate hole	17 mm
Dome-Ø	250.5 mm
Offset	105 mm
Swivel Interference	635 mm
Overall height	510 mm
Temperature	- 10 / + 60 °C
Standard	EN 12533
Weight	91.09 kg
Swivel Radius	317.5 mm
Hardness of tread	Shore D 42
Load capacity (dynamic)	6000 kg
Load capacity (static)	12000 kg

Dimensions



Structure & Mounting



Advantages at a glance

Roll performance	● ● ● ● ○
Movement noise	● ● ● ○ ○
Attrition	● ● ● ● ○
Corrosion resistance	● ● ● ○ ○

OMIKRON TWIN

9950FTP400P68

EAN 4031582316841



BETTER MOBILITY. BETTER LIFE.

Structure & Mounting

