

OMIKRON TWIN

9950TOP100P65

EAN 4031582316865

Swivel caster, housing and plate steel-welded, zinc plated, blue passivated, sealed swivel bearing with dual purpose bearing and tapered roller bearing, threaded king pin and locking nut secured, grease nipple, wheel axle with nut, plate fitting. Wheel center made of Polyamide, heavy duty, precision ball bearing



BETTER MOBILITY. BETTER LIFE.



Picture may differ from original product

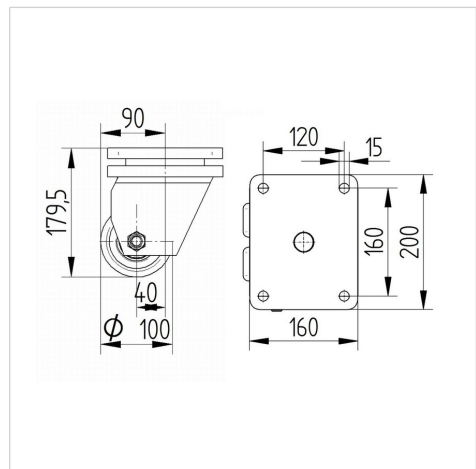
Technical Data

Wheel diameter	100 mm
Wheel width	50 mm
Caster width	189 mm
Plate size	200 x 160 mm
Plate hole centers	160 x 120 mm
Plate hole	15 mm
Dome-Ø	160 mm
Offset	40 mm
Swivel Interference	207 mm
Overall height	180 mm
Temperature	- 40 / + 85 °C
Standard	EN 12533
Weight	10.897 kg
Swivel Radius	103.5 mm
Hardness of tread	Shore D 75
Load capacity (dynamic)	1440 kg
Load capacity (static)	2880 kg

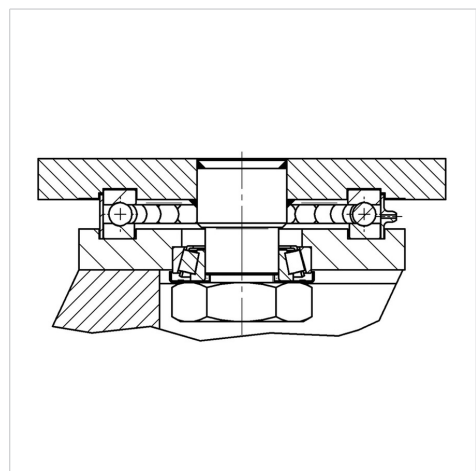
Advantages at a glance

Roll performance	● ● ● ● ●
Movement noise	● ● ● ○ ○
Attrition	● ● ● ● ●
Corrosion resistance	● ● ● ○ ○

Dimensions



Structure & Mounting



OMIKRON TWIN

9950TOP100P65

EAN 4031582316865



BETTER MOBILITY. BETTER LIFE.

Structure & Mounting

