

# OMIKRON TWIN

9950TOP150P65

EAN 4031582316889

Swivel castor, housing and plate steel-welded, zinc plated, blue passivated, sealed swivel bearing with dual purpose bearing and tapered roller bearing, threaded king pin and locking nut secured, grease nipple, wheel axle with nut, plate fitting. Wheel centre made of Polyamide, heavy duty, precision ball bearing



BETTER MOBILITY. BETTER LIFE.



Picture may differ from original product

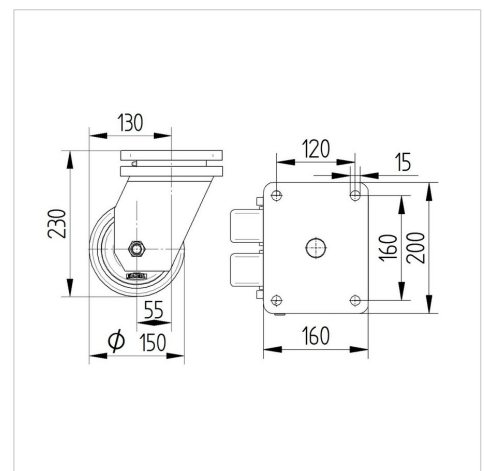
## Technical Data

Wheel diameter	150 mm
Wheel width	50 mm
Castor width	189 mm
Size of Plate	200 x 160 mm
Plate hole centres	160 x 120 mm
Plate hole	15 mm
Dome-Ø	160 mm
Offset	55 mm
Swivel Interference	282 mm
Overall height	230 mm
Temperature	- 40 / + 85 °C
Standard	EN 12533
Weight	12.478 kg
Swivel Radius	141 mm
Hardness of tread	Shore D 75
Load capacity	1920 kg
Load capacity (static)	3840 kg

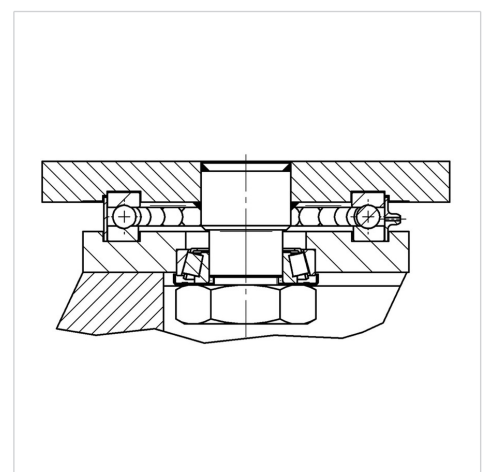
## Advantages at a glance

Roll performance	● ● ● ● ●
Movement noise	● ● ● ○ ○
Attrition	● ● ● ● ●
Corrosion resistance	● ● ● ○ ○

## Dimensions



## Structure & Mounting



# OMIKRON TWIN

9950TOP150P65

EAN 4031582316889



BETTER MOBILITY. BETTER LIFE.

## Structure & Mounting

