

OMIKRON TWIN

9950TOP160P65

EAN 4031582316896

Swivel caster, housing and plate steel-welded, zinc plated, blue passivated, sealed swivel bearing with dual purpose bearing and tapered roller bearing, threaded king pin and locking nut secured, grease nipple, wheel axle with nut, plate fitting. Wheel center made of Polyamide, heavy duty, precision ball bearing



BETTER MOBILITY. BETTER LIFE.



Picture may differ from original product

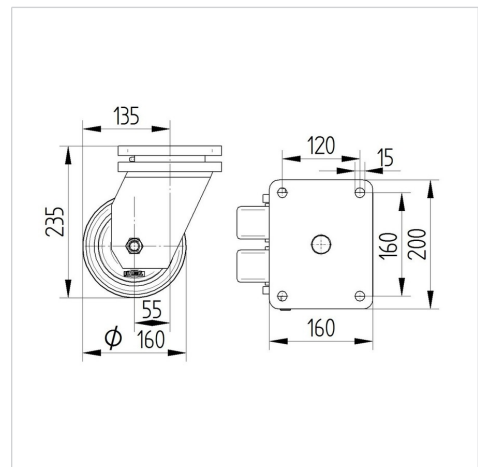
Technical Data

Wheel diameter	160 mm
Wheel width	50 mm
Caster width	189 mm
Plate size	200 x 160,0 mm
Plate hole centers	160 x 120 mm
Plate hole	15 mm
Dome-Ø	160 mm
Offset	55 mm
Swivel Interference	282 mm
Overall height	235 mm
Temperature	- 40 / + 85 °C
Standard	EN 12533
Weight	12.911 kg
Swivel Radius	141 mm
Hardness of tread	Shore D 75
Load capacity (dynamic)	2040 kg
Load capacity (static)	4080 kg

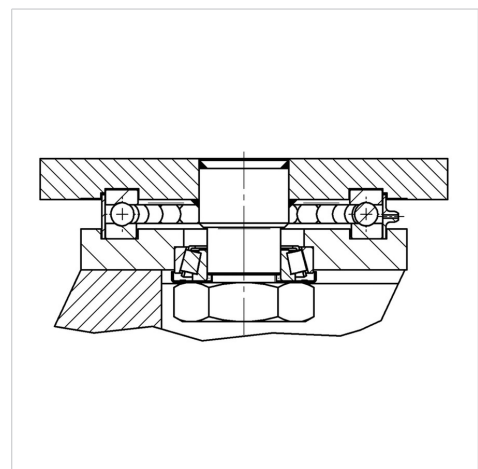
Advantages at a glance

Roll performance	● ● ● ● ●
Movement noise	● ● ● ○ ○
Attrition	● ● ● ● ●
Corrosion resistance	● ● ● ○ ○

Dimensions



Structure & Mounting



OMIKRON TWIN

9950TOP160P65

EAN 4031582316896



BETTER MOBILITY. BETTER LIFE.

Structure & Mounting

