

# OMIKRON TWIN

9958FTP125P65

EAN 4031582316933

Fixed castor, Fork and plate steel welded, zinc plated, blue passivated, wheel axle with nut, plate fitting.

Wheel centre made of cast iron, Tread: Polyurethane, casted, precision ball bearing



BETTER MOBILITY. BETTER LIFE.

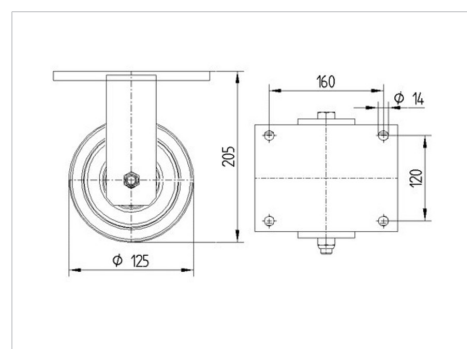


Picture may differ from original product

## Technical Data

|                        |                |
|------------------------|----------------|
| Wheel diameter         | 125 mm         |
| Wheel width            | 50 mm          |
| Castor width           | 189 mm         |
| Size of Plate          | 200 x 160 mm   |
| Plate hole centres     | 160 x 120 mm   |
| Plate hole             | 15 mm          |
| Dome-Ø                 | 160 mm         |
| Overall height         | 205 mm         |
| Temperature            | - 10 / + 60 °C |
| Standard               | EN 12533       |
| Weight                 | 11.643 kg      |
| Hardness of tread      | Shore D 42     |
| Load capacity          | 1320 kg        |
| Load capacity (static) | 2640 kg        |

## Dimensions



## Advantages at a glance

|                      |           |
|----------------------|-----------|
| Roll performance     | ● ● ● ● ○ |
| Movement noise       | ● ● ● ○ ○ |
| Attrition            | ● ● ● ● ○ |
| Corrosion resistance | ● ● ● ○ ○ |

# OMIKRON TWIN

9958FTP125P65

EAN 4031582316933



BETTER MOBILITY. BETTER LIFE.

## Structure & Mounting

