

OMIKRON TWIN

9958FTP250P65

EAN 4031582316988

Fixed castor, Fork and plate steel welded, zinc plated, blue passivated, wheel axle with nut, plate fitting.

Wheel centre made of cast iron, Tread: Polyurethane, casted, precision ball bearing



BETTER MOBILITY. BETTER LIFE.

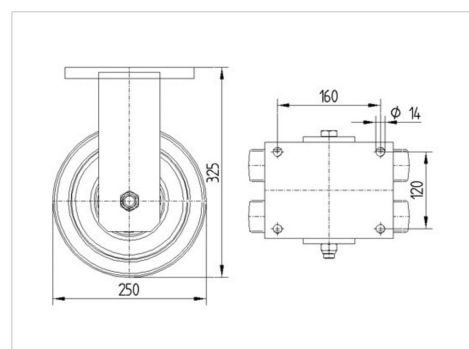


Picture may differ from original product

Technical Data

| | |
|------------------------|----------------|
| Wheel diameter | 250 mm |
| Wheel width | 50 mm |
| Castor width | 154 mm |
| Size of Plate | 200 x 160 mm |
| Plate hole centres | 160 x 120 mm |
| Plate hole | 15 mm |
| Dome-Ø | 160 mm |
| Overall height | 325 mm |
| Temperature | - 10 / + 60 °C |
| Standard | EN 12533 |
| Weight | 21.11 kg |
| Hardness of tread | Shore D 42 |
| Load capacity | 2880 kg |
| Load capacity (static) | 5760 kg |

Dimensions



Advantages at a glance

| | |
|----------------------|-----------|
| Roll performance | ● ● ● ● ○ |
| Movement noise | ● ● ● ○ ○ |
| Attrition | ● ● ● ● ○ |
| Corrosion resistance | ● ● ● ○ ○ |

OMIKRON TWIN

9958FTP250P65

EAN 4031582316988



BETTER MOBILITY. BETTER LIFE.

Structure & Mounting

