

OMIKRON TWIN

9958FTP300P68

EAN 4031582317008

Fixed castor, Fork and plate steel welded, zinc plated, blue passivated, wheel axle with nut, plate fitting.

Wheel centre made of cast iron, Tread: Polyurethane, casted, precision ball bearing



BETTER MOBILITY. BETTER LIFE.

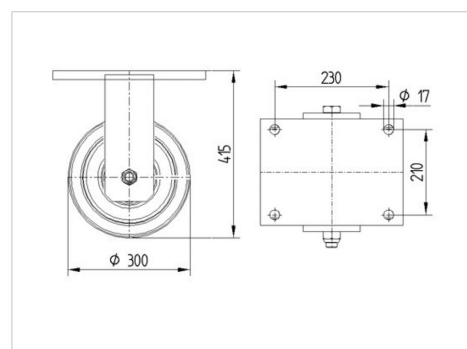


Picture may differ from original product

Technical Data

Wheel diameter	300 mm
Wheel width	80 mm
Castor width	272 mm
Size of Plate	270 x 250 mm
Plate hole centres	230 x 210 mm
Plate hole	17 mm
Dome-Ø	235 mm
Overall height	415 mm
Temperature	- 10 / + 60 °C
Standard	similar EN12533
Weight	50.153 kg
Hardness of tread	Shore D 42
Load capacity	4000 kg
Load capacity (static)	8000 kg

Dimensions



Advantages at a glance

Roll performance	● ● ● ● ○
Movement noise	● ● ● ○ ○
Attrition	● ● ● ● ○
Corrosion resistance	● ● ● ○ ○

OMIKRON TWIN

9958FTP300P68

EAN 4031582317008



BETTER MOBILITY. BETTER LIFE.

Structure & Mounting

