

# OMIKRON TWIN

9958TOP150P65

EAN 4031582317060

Fixed caster, Fork and plate steel welded, zinc plated, blue passivated, wheel axle with nut, plate fitting.

Wheel center made of Polyamide, heavy duty, precision ball bearing



BETTER MOBILITY. BETTER LIFE.

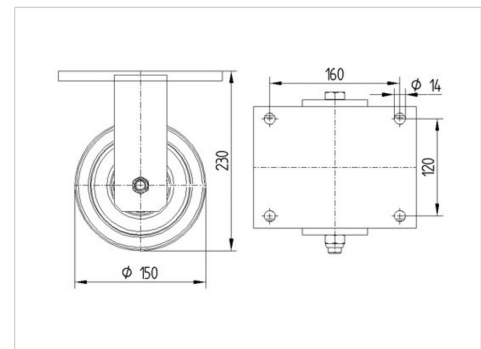


Picture may differ from original product

## Technical Data

Wheel diameter	150 mm
Wheel width	50 mm
Caster width	189 mm
Plate size	200 x 160 mm
Plate hole centers	160 x 120 mm
Plate hole	15 mm
Dome-Ø	160 mm
Overall height	230 mm
Temperature	- 40 / + 85 °C
Standard	EN 12533
Weight	8.721 kg
Hardness of tread	Shore D 75
Load capacity (dynamic)	1920 kg
Load capacity (static)	3840 kg

## Dimensions



## Advantages at a glance

Roll performance	● ● ● ● ●
Movement noise	● ● ● ○ ○
Attrition	● ● ● ● ●
Corrosion resistance	● ● ● ○ ○

# OMIKRON TWIN

9958TOP150P65

EAN 4031582317060



BETTER MOBILITY. BETTER LIFE.

## Structure & Mounting

