

OMIKRON TWIN

9958TOP250P65

EAN 4031582317091

Fiksirani točkić, Viljuska i ploca zavareni, pocinkovani, osovina tocka sa caurom, Priključak ploca..

Telo tocka od poliamida, visoke nosivosti, precizni kuglicni lezaj

TENTE

BETTER MOBILITY. BETTER LIFE.

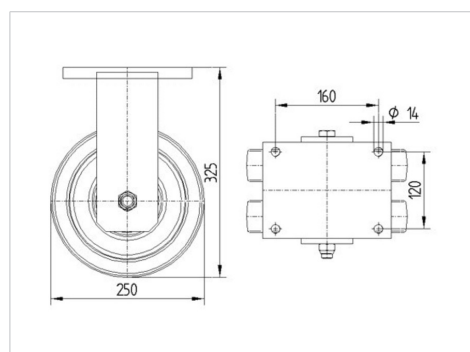


Picture may differ from original product

Tehnicki podaci

| | |
|-------------------------|----------------|
| Precnik tocka. | 250 mm |
| Sirina gazista. | 50 mm |
| Sirina tocka | 192 mm |
| Dimenzije ploce. | 200 x 160 mm |
| Raspored rupa na ploci. | 160 x 120 mm |
| Rupa na ploci. | 15 mm |
| Kupola -Ø | 160 mm |
| Sveukupna visina. | 325 mm |
| Temperatura | - 40 / + 85 °C |
| Standard | EN 12533 |
| Tezina | 11.712 kg |
| Tvrdoca omotaca | Shore D 75 |
| Dinamicka nosivost. | 2640 kg |
| Staticka nosivost. | 5280 kg |

Dimensions



Advantages at a glance

| | |
|---------------------|-----------|
| Otpor okretanju | ● ● ● ● ● |
| Buka pri okretanju | ● ● ● ○ ○ |
| trenje , habanje | ● ● ● ● ● |
| zastita od korozije | ● ● ● ○ ○ |

OMIKRON TWIN

9958TOP250P65

EAN 4031582317091



BETTER MOBILITY. BETTER LIFE.

Structure & Mounting

