

LUMINA

AA20POI050L51-10

EAN 4031582335736



BETTER MOBILITY. BETTER LIFE.

Swivel castor, housing made of Polypropylene, with blind hole fitting.
Wheel centre made of Polypropylene, plain bearing

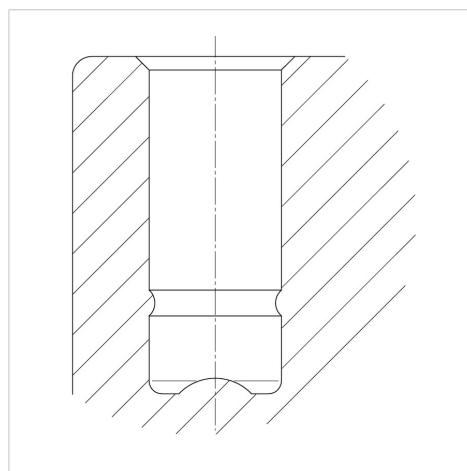


Picture may differ from original product

Technical Data

Wheel diameter	50 mm
Wheel width	7 mm
Castor width	55 mm
Centre hole	10 mm
Offset	20 mm
Swivel Interference	104 mm
Overall height	56 mm
Temperature	- 20 / + 60 °C
Standard	EN 12528
Weight	0.06 kg
Swivel Radius	52 mm
Hardness of tread	Shore D 65
Load capacity	40 kg
Load capacity (static)	80 kg

Structure & Mounting



Advantages at a glance

Roll performance	● ● ● ○ ○
Movement noise	● ● ● ○ ○
Attrition	● ● ● ○ ○
Corrosion resistance	● ● ● ○ ○