

LUMINA

AA20POI050L51-10

EAN 4031582335736

Swivel caster, housing made of Polypropylene, with blind hole fitting.
Wheel center made of Polypropylene, plain bearing



BETTER MOBILITY. BETTER LIFE.

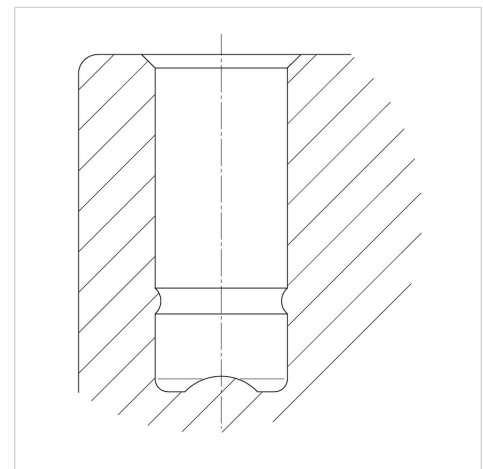


Picture may differ from original product

Technical Data

| | |
|-------------------------|----------------|
| Wheel diameter | 50 mm |
| Wheel width | 7 mm |
| Caster width | 55 mm |
| Center hole | 10 mm |
| Offset | 20 mm |
| Swivel Interference | 104 mm |
| Overall height | 56 mm |
| Temperature | - 20 / + 60 °C |
| Standard | EN 12528 |
| Weight | 0.06 kg |
| Swivel Radius | 52 mm |
| Hardness of tread | Shore D 65 |
| Load capacity (dynamic) | 40 kg |
| Load capacity (static) | 80 kg |

Structure & Mounting



Advantages at a glance

| | |
|----------------------|-----------|
| Roll performance | ● ● ● ○ ○ |
| Movement noise | ● ● ● ○ ○ |
| Attrition | ● ● ● ○ ○ |
| Corrosion resistance | ● ● ● ○ ○ |