

LUMINA

AA23POI050L51-10

EAN 4031582413038



BETTER MOBILITY. BETTER LIFE.

Swivel caster with intermittent brake, housing made of Polypropylene, with blind hole fitting. Wheel center made of Polypropylene, plain bearing

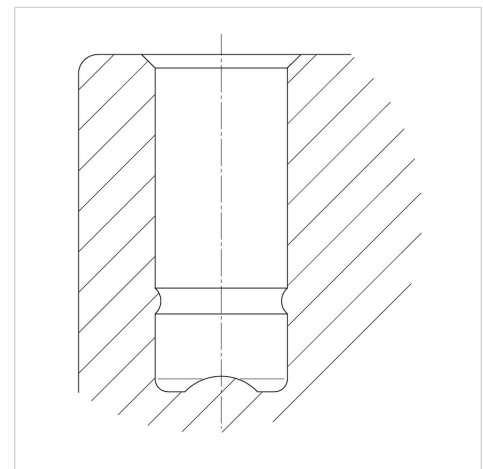


Picture may differ from original product

Technical Data

| | |
|-------------------------|----------------|
| Wheel diameter | 50 mm |
| Wheel width | 8 mm |
| Caster width | 55 mm |
| Center hole | 10 mm |
| Offset | 20 mm |
| Swivel Interference | 104 mm |
| Overall height | 55 mm |
| Temperature | - 20 / + 60 °C |
| Standard | EN 12529 |
| Weight | 0.062 kg |
| Swivel Radius | 52 mm |
| Hardness of tread | Shore D 65 |
| Load capacity (dynamic) | 40 kg |
| Load capacity (static) | 80 kg |

Structure & Mounting



Advantages at a glance

| | |
|----------------------|-----------|
| Roll performance | ● ● ● ○ ○ |
| Movement noise | ● ● ● ○ ○ |
| Attrition | ● ● ● ○ ○ |
| Corrosion resistance | ● ● ● ○ ○ |