

LUMINA

AA25POI050L51-10

EAN 4031582335743



BETTER MOBILITY. BETTER LIFE.

Swivel caster with wheel brake, housing made of Polypropylene, with blind hole fitting. Wheel center made of Polypropylene, plain bearing

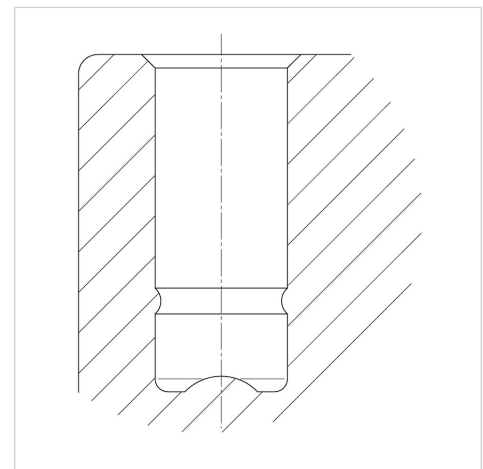


Picture may differ from original product

Technical Data

Wheel diameter	50 mm
Wheel width	7 mm
Caster width	55 mm
Center hole	10 mm
Offset	20 mm
Swivel Interference	124 mm
Overall height	56 mm
Temperature	- 20 / + 60 °C
Standard	EN 12528
Weight	0.061 kg
Swivel Radius	62 mm
Hardness of tread	Shore D 65
Load capacity (dynamic)	40 kg
Load capacity (static)	80 kg

Structure & Mounting



Advantages at a glance

Roll performance	● ● ● ○ ○
Movement noise	● ● ● ○ ○
Attrition	● ● ● ○ ○
Corrosion resistance	● ● ● ○ ○