

PURETECH

DIR160x40-Ø20

EAN 4031582317770

Wheel center made of pressed steel, Tread: solid rubber, grey non-marking, roller bearing



BETTER MOBILITY. BETTER LIFE.

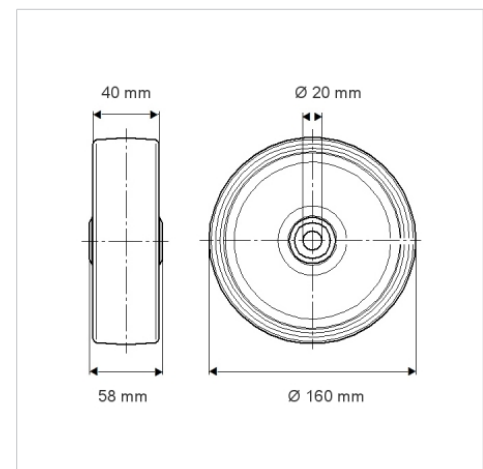


Picture may differ from original product

Technical Data

Wheel diameter	160 mm
Wheel width	40 mm
Axle Hole-Ø	20 mm
Hub length	58 mm
Temperature	- 20 / + 85 °C
Standard	EN 12532
Weight	0.993 kg
Hardness of tread	Shore A 80
Load capacity (dynamic)	135 kg
Load capacity (static)	270 kg

Dimensions



Advantages at a glance

Roll performance	● ● ● ○ ○
Movement noise	● ● ● ○ ○
Attrition	● ● ● ○ ○
Corrosion resistance	● ● ● ○ ○