

# PURETECH

DIR200x50-Ø20

EAN 4031582317787

Wheel center made of pressed steel, Tread: solid rubber, grey non-marking, roller bearing



BETTER MOBILITY. BETTER LIFE.

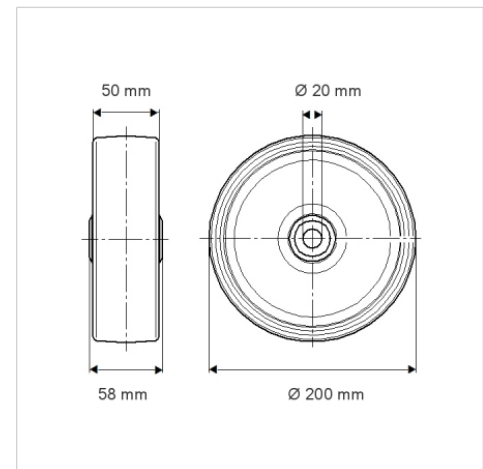


Picture may differ from original product

## Technical Data

Wheel diameter	200 mm
Wheel width	50 mm
Axle Hole-Ø	20 mm
Hub length	58 mm
Temperature	- 20 / + 85 °C
Standard	EN 12532
Weight	1.803 kg
Hardness of tread	Shore A 80
Load capacity (dynamic)	205 kg
Load capacity (static)	410 kg

## Dimensions



## Advantages at a glance

Roll performance	● ● ● ○ ○
Movement noise	● ● ● ○ ○
Attrition	● ● ● ○ ○
Corrosion resistance	● ● ● ○ ○