

NOVATECH

ETP080x40-Ø20 HL40

EAN 4031582318555

Wheel center made of steel, Tread: Polyurethane, casted, precision ball bearing.

Load capacities on a smooth, even surface.



BETTER MOBILITY. BETTER LIFE.

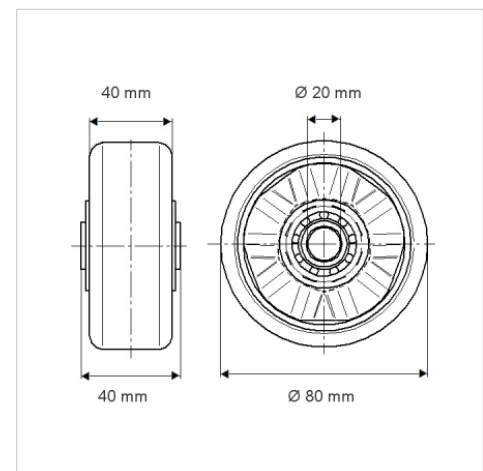


Picture may differ from original product

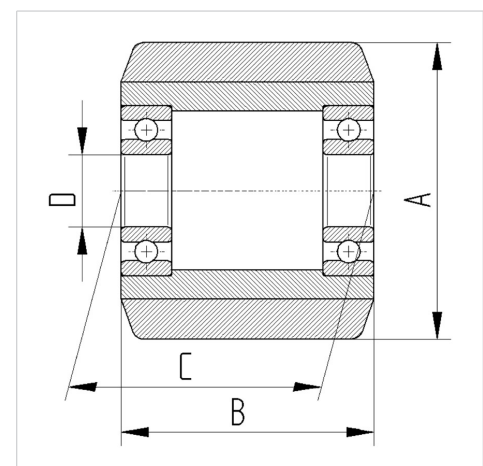
Technical Data

Wheel diameter	80 mm
Wheel width	40 mm
Axle Hole-Ø	20 mm
Hub length	40 mm
Temperature	- 10 / + 60 °C
Standard	EN 12532
Weight	0.684 kg
Hardness of tread	Shore D 42
Bearing	6204 No.
Load capacity (dynamic)	500 kg
Load capacity (static)	1000 kg

Dimensions



Structure & Mounting



Advantages at a glance

Roll performance	● ● ● ● ○
Movement noise	● ● ● ○ ○
Attrition	● ● ● ● ○
Corrosion resistance	● ● ● ○ ○

NOVATECH

ETP080x40-Ø20 HL40

EAN 4031582318555



BETTER MOBILITY. BETTER LIFE.

Structure & Mounting

