

# NOVATECH

## ETP080x40-Ø20 HL40

EAN 4031582318555

Telo točka napravljeno od celika, Omotac: poliuretan, liveni sa preciznim kuglicnim lezaj

Nosivosti na ravnim, glatkim površinama.

# TENTE

BETTER MOBILITY. BETTER LIFE.



Picture may differ from original product

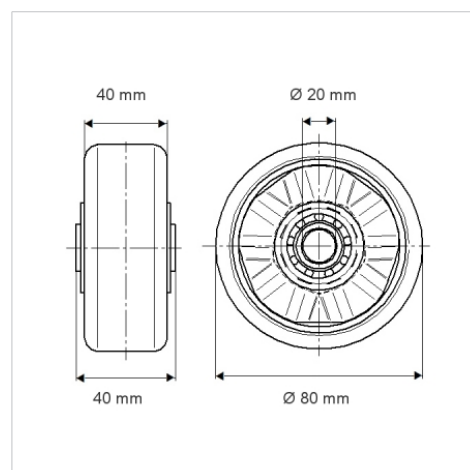
### Tehnicki podaci

Precnik tocka.	80 mm
Sirina gazista.	40 mm
Otvor za osovinu Ø	20 mm
Duzina glavcine.	40 mm
Temperatura	- 10 / + 60 °C
Standard	EN 12532
Tezina	0.684 kg
Tvrdoca omotaca	Shore D 42
Bearing	6204 Br.
Dinamicka nosivost.	500 kg
Staticka nosivost.	1000 kg

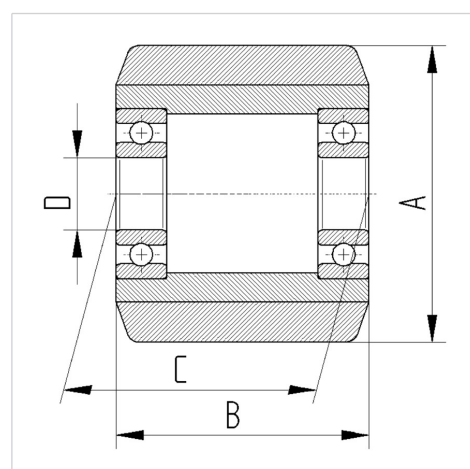
### Advantages at a glance

Otpor okretanju	● ● ● ● ○
Buka pri okretanju	● ● ● ○ ○
trenje , habanje	● ● ● ● ○
zastita od korozije	● ● ● ○ ○

### Dimensions



### Structure & Mounting



# NOVATECH

ETP080x40-Ø20 HL40

EAN 4031582318555



BETTER MOBILITY. BETTER LIFE.

## Structure & Mounting

---

