

# NOVATECH

FTP125x50-Ø20 HL60

EAN 4031582329407

Telo tocka napravljeno od livenog gvozdja, Omotac: poliuretan, precizni kuglicni lezaj

**TENTE**

BETTER MOBILITY. BETTER LIFE.



Picture may differ from original product

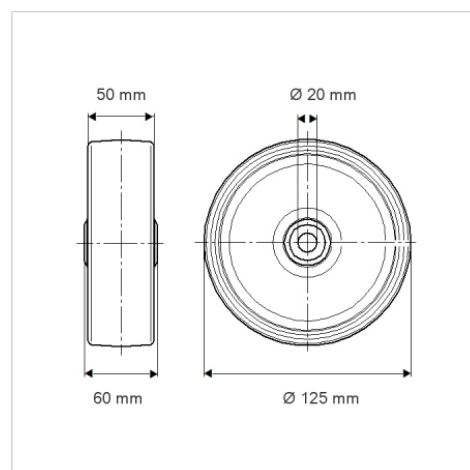
## Tehnicki podaci

Precnik tocka.	125 mm
Sirina gazista.	50 mm
Otvor za osovinu $\varnothing$	20 mm
Duzina glavcine.	60 mm
Temperatura	- 10 / + 60 °C
Standard	EN 12533
Tezina	2.428 kg
Tvrdoca omotaca	Shore D 42
Bearing	6204 Br.
Dinamicka nosivost.	550 kg
Staticka nosivost.	1100 kg

## Advantages at a glance

Otpor okretanju	● ● ● ● ○
Buka pri okretanju	● ● ● ○ ○
trenje , habanje	● ● ● ● ○
zastita od korozije	● ● ● ○ ○

## Dimensions



## Structure & Mounting

