

NOVATECH

FTP200x80-Ø25 HL90

EAN 4031582329681

Wheel center made of cast iron, Tread: Polyurethane, casted, precision ball bearing



BETTER MOBILITY. BETTER LIFE.

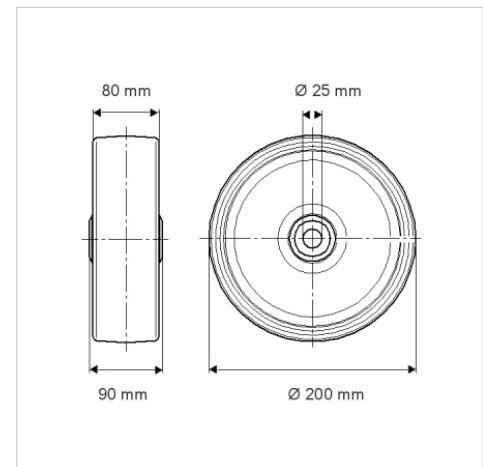


Picture may differ from original product

Technical Data

Wheel diameter	200 mm
Wheel width	80 mm
Axle Hole-Ø	25 mm
Hub length	90 mm
Temperature	- 20 / + 60 °C
Standard	EN 12533
Weight	7.056 kg
Hardness of tread	Shore A 92
Load capacity (dynamic)	1400 kg
Load capacity (static)	2800 kg

Dimensions



Advantages at a glance

Roll performance	● ● ● ● ○
Movement noise	● ● ● ○ ○
Attrition	● ● ● ○ ○
Corrosion resistance	● ● ● ○ ○

Structure & Mounting

