

NOVATECH

FTP250x100-Ø35 HL120

EAN 4031582319361

Wheel center made of cast iron, Tread: Polyurethane, casted, precision ball bearing



BETTER MOBILITY. BETTER LIFE.

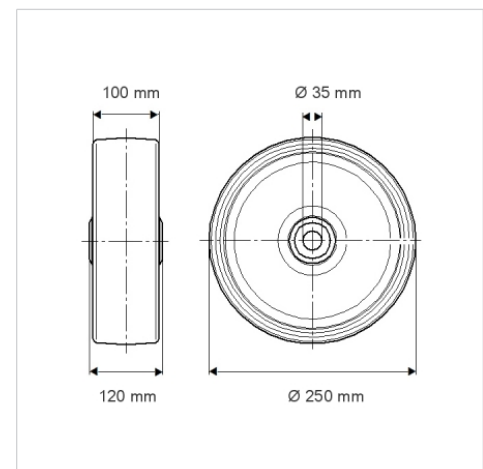


Picture may differ from original product

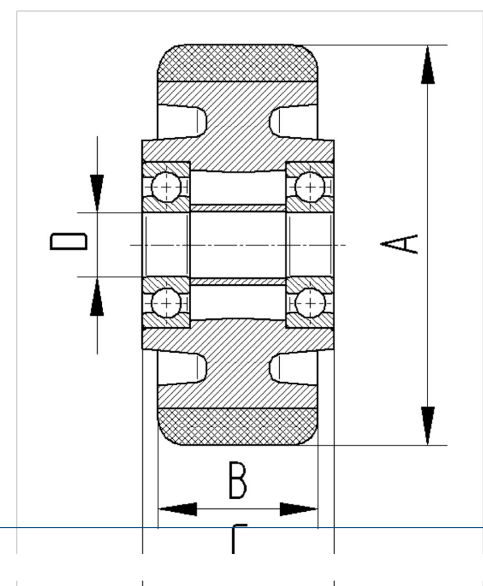
Technical Data

Wheel diameter	250 mm
Wheel width	100 mm
Axle Hole-Ø	35 mm
Hub length	120 mm
Temperature	- 10 / + 60 °C
Standard	EN 12533
Weight	15.059 kg
Hardness of tread	Shore D 42
Load capacity (dynamic)	2200 kg
Load capacity (static)	4400 kg

Dimensions



Structure & Mounting



Advantages at a glance

Roll performance	● ● ● ● ○
Movement noise	● ● ● ○ ○
Attrition	● ● ● ○ ○
Corrosion resistance	● ● ● ○ ○