

NOVATECH

FTP250x50-Ø25 HL60*

EAN 4031582319385

Wheel center made of cast iron, Tread: Polyurethane, casted, precision ball bearing



BETTER MOBILITY. BETTER LIFE.

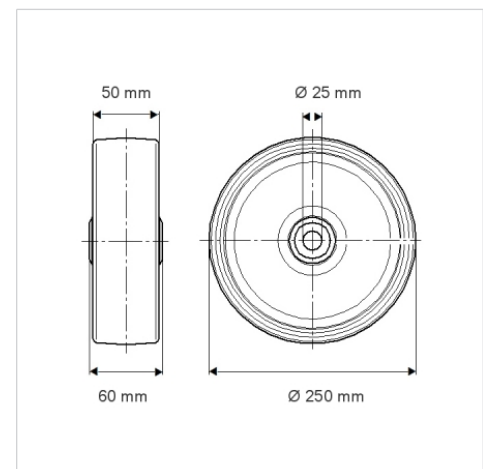


Picture may differ from original product

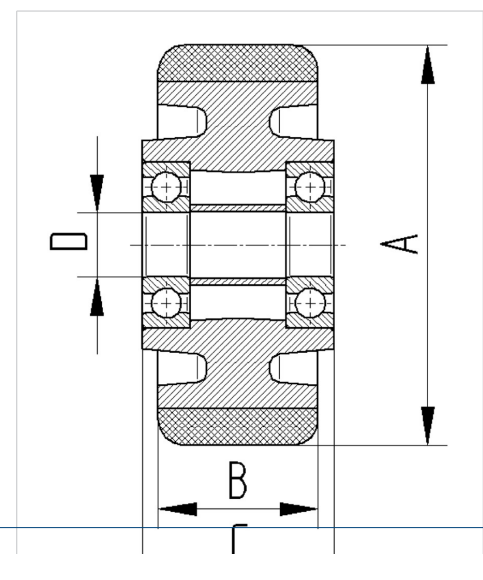
Technical Data

| | |
|-------------------------|----------------|
| Wheel diameter | 250 mm |
| Wheel width | 50 mm |
| Axle Hole-Ø | 25 mm |
| Hub length | 60 mm |
| Temperature | - 10 / + 60 °C |
| Standard | EN 12533 |
| Weight | 6.559 kg |
| Hardness of tread | Shore D 42 |
| Load capacity (dynamic) | 1200 kg |
| Load capacity (static) | 2400 kg |

Dimensions



Structure & Mounting



Advantages at a glance

| | |
|----------------------|-----------|
| Roll performance | ● ● ● ● ○ |
| Movement noise | ● ● ● ○ ○ |
| Attrition | ● ● ● ○ ○ |
| Corrosion resistance | ● ● ● ○ ○ |