

# NOVATECH

FTP250x50-Ø25 HL60\*

EAN 4031582319385

Telo tocka napravljeno od livenog gvozdja, Omotac: poliuretan, precizni kuglicni lezaj

**TENTE**

BETTER MOBILITY. BETTER LIFE.

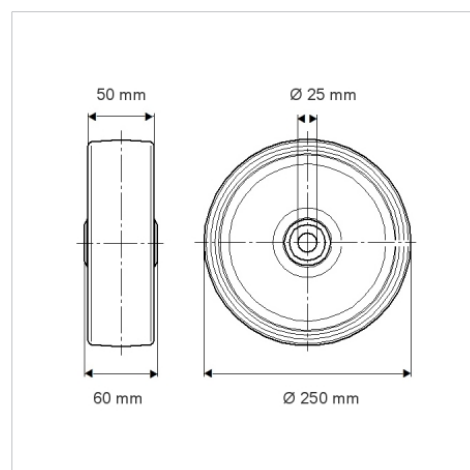


Picture may differ from original product

## Tehnicki podaci

|                              |                |
|------------------------------|----------------|
| Precnik tocka.               | 250 mm         |
| Sirina gazista.              | 50 mm          |
| Otvor za osovinu $\emptyset$ | 25 mm          |
| Duzina glavcine.             | 60 mm          |
| Temperatura                  | - 10 / + 60 °C |
| Standard                     | EN 12533       |
| Tezina                       | 6.559 kg       |
| Tvrdoca omotaca              | Shore D 42     |
| Dinamicka nosivost.          | 1200 kg        |
| Staticka nosivost.           | 2400 kg        |

## Dimensions



## Advantages at a glance

|                     |           |
|---------------------|-----------|
| Otpor okretanju     | ● ● ● ● ○ |
| Buka pri okretanju  | ● ● ● ○ ○ |
| trenje , habanje    | ● ● ● ● ○ |
| zastita od korozije | ● ● ● ○ ○ |

## Structure & Mounting

