

# NOVATECH

FTP250x60-Ø25 HL62

EAN 4031582331066

Telo tocka napravljeno od livenog gvozdja, Omotac: poliuretan, precizni kuglicni lezaj

**TENTE**

BETTER MOBILITY. BETTER LIFE.



Picture may differ from original product

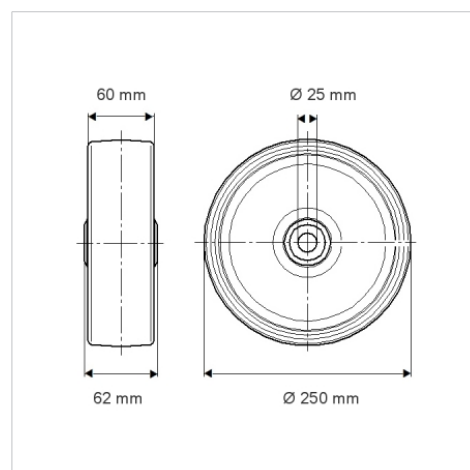
## Tehnicki podaci

|                     |                |
|---------------------|----------------|
| Precnik tocka.      | 250 mm         |
| Sirina gazista.     | 60 mm          |
| Otvor za osovinu Ø  | 25 mm          |
| Duzina glavcine.    | 62 mm          |
| Temperatura         | - 10 / + 60 °C |
| Standard            | EN 12533       |
| Tezina              | 7.123 kg       |
| Tvrdoca omotaca     | Shore D 42     |
| Dinamicka nosivost. | 1400 kg        |
| Staticka nosivost.  | 2800 kg        |

## Advantages at a glance

|                     |           |
|---------------------|-----------|
| Otpor okretanju     | ● ● ● ● ○ |
| Buka pri okretanju  | ● ● ● ○ ○ |
| trenje , habanje    | ● ● ● ● ○ |
| zastita od korozije | ● ● ● ○ ○ |

## Dimensions



## Structure & Mounting

