

NOVATECH

FTP300x100-Ø40 HL120

EAN 4031582319439

Wheel center made of cast iron, Tread: Polyurethane, casted, precision ball bearing



BETTER MOBILITY. BETTER LIFE.

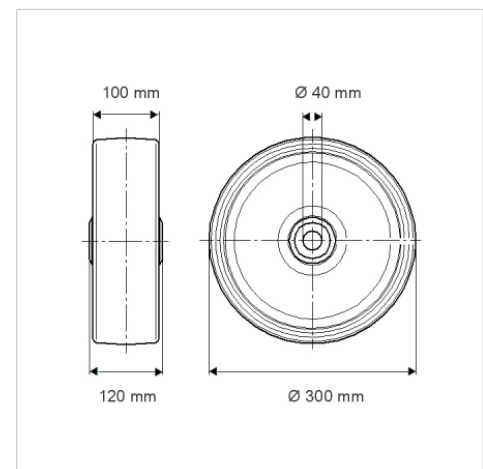


Picture may differ from original product

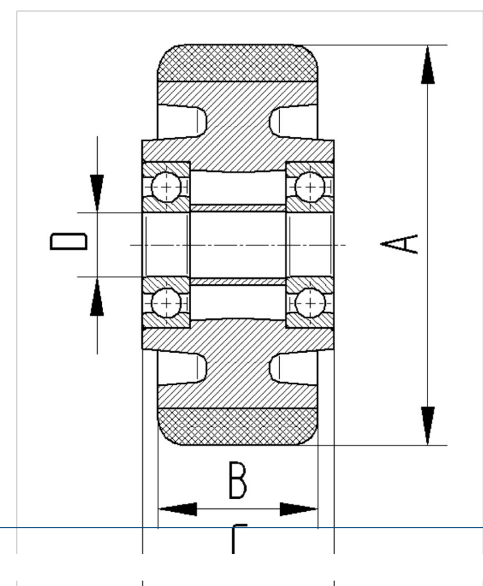
Technical Data

| | |
|-------------------------|----------------|
| Wheel diameter | 300 mm |
| Wheel width | 100 mm |
| Axle Hole-Ø | 40 mm |
| Hub length | 120 mm |
| Temperature | - 10 / + 60 °C |
| Standard | EN 12533 |
| Weight | 18.81 kg |
| Hardness of tread | Shore D 42 |
| Load capacity (dynamic) | 2600 kg |
| Load capacity (static) | 5200 kg |

Dimensions



Structure & Mounting



Advantages at a glance

| | |
|----------------------|-----------|
| Roll performance | ● ● ● ● ○ |
| Movement noise | ● ● ● ○ ○ |
| Attrition | ● ● ● ○ ○ |
| Corrosion resistance | ● ● ● ○ ○ |