

NOVATECH

FTP300x50-Ø30 HL60

EAN 4031582319446

Telo tocka napravljeno od livenog gvozdja, Omotac: poliuretan, precizni kuglicni lezaj

TENTE

BETTER MOBILITY. BETTER LIFE.

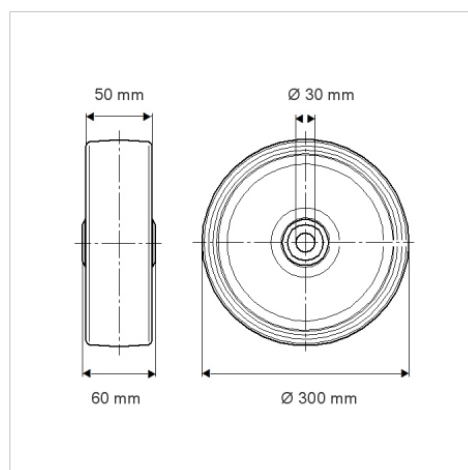


Picture may differ from original product

Tehnicki podaci

| | |
|--------------------------------|----------------|
| Precnik tocka. | 300 mm |
| Sirina gazista. | 50 mm |
| Otvor za osovinu \varnothing | 30 mm |
| Duzina glavcine. | 60 mm |
| Temperatura | - 10 / + 60 °C |
| Standard | EN 12533 |
| Tezina | 11.086 kg |
| Tvrdoca omotaca | Shore D 42 |
| Dinamicka nosivost. | 1400 kg |
| Staticka nosivost. | 2800 kg |

Dimensions



Advantages at a glance

| | |
|---------------------|-----------|
| Otpor okretanju | ● ● ● ● ○ |
| Buka pri okretanju | ● ● ● ○ ○ |
| trenje , habanje | ● ● ● ● ○ |
| zastita od korozije | ● ● ● ○ ○ |

Structure & Mounting

