

NOVATECH

FTP300x80-Ø30 HL92

EAN 4031582331097

Wheel center made of cast iron, Tread: Polyurethane, casted, precision ball bearing



BETTER MOBILITY. BETTER LIFE.

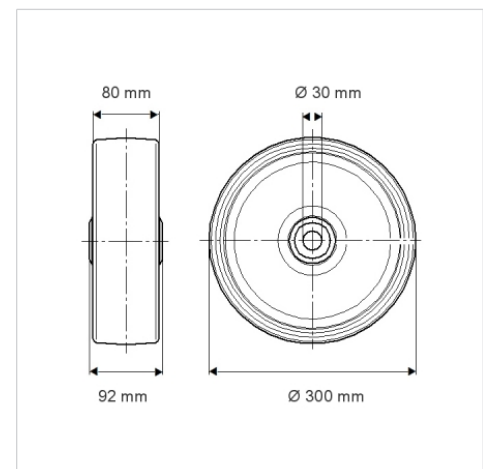


Picture may differ from original product

Technical Data

Wheel diameter	300 mm
Wheel width	80 mm
Axle Hole-Ø	30 mm
Hub length	92 mm
Temperature	- 10 / + 60 °C
Standard	EN 12533
Weight	14.768 kg
Hardness of tread	Shore D 42
Load capacity (dynamic)	2000 kg
Load capacity (static)	4000 kg

Dimensions



Advantages at a glance

Roll performance	● ● ● ● ○
Movement noise	● ● ● ○ ○
Attrition	● ● ● ○ ○
Corrosion resistance	● ● ● ○ ○

Structure & Mounting

