

ELASTECH

FVP300x85-Ø30

EAN 4031582319538

Wheel center made of cast iron, Tread: solid rubber, black, precision ball bearing



BETTER MOBILITY. BETTER LIFE.

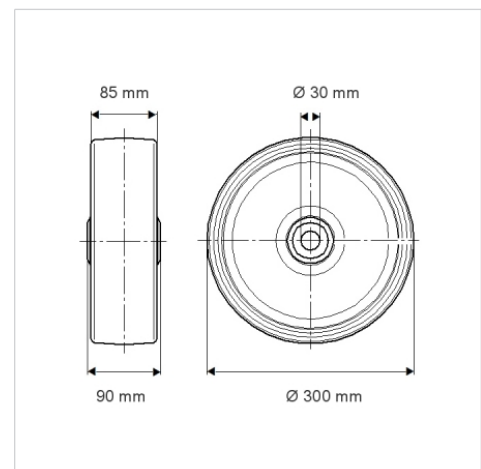


Picture may differ from original product

Technical Data

Wheel diameter	300 mm
Wheel width	85 mm
Axle Hole-Ø	30 mm
Hub length	90 mm
Temperature	- 20 / + 80 °C
Standard	EN 12533
Weight	9.8 kg
Hardness of tread	Shore A 67
Load capacity (dynamic)	800 kg
Load capacity (static)	1600 kg

Dimensions



Advantages at a glance

Roll performance	● ● ● ○ ○
Movement noise	● ● ● ○ ○
Attrition	● ● ○ ○ ○
Corrosion resistance	● ● ● ○ ○

Structure & Mounting

