



BETTER MOBILITY. BETTER LIFE.

H40-15 / 11

EAN 4031582319620

plastic socket

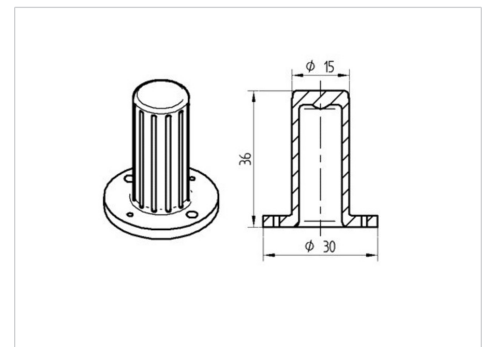


Picture may differ from original product

Technical Data

Bolt-Ø	15 mm
Overall height	36 mm
Weight	0.005 kg
Load capacity (dynamic)	40 kg
Load capacity (static)	80 kg

Dimensions



Advantages at a glance

Roll performance	○ ○ ○ ○ ○
Movement noise	○ ○ ○ ○ ○
Attrition	○ ○ ○ ○ ○
Corrosion resistance	● ● ● ○ ○