

ELASTECH

IEP125x50-Ø20

EAN 4031582319682

Telo tocka od aluminijuma , Omotac: crna elasticka guma, vulkanizirana ,
precizni kuglicni lezaj

TENTE

BETTER MOBILITY. BETTER LIFE.

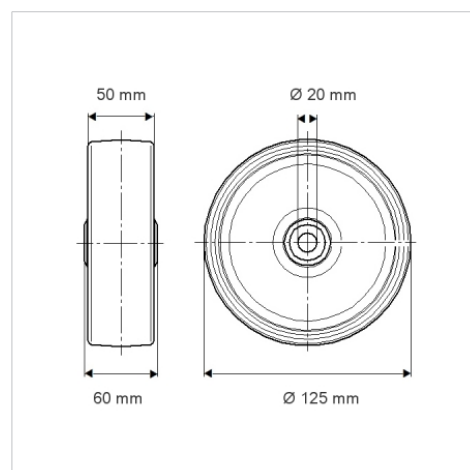


Picture may differ from original product

Tehnicki podaci

Precnik tocka.	125 mm
Sirina gazista.	50 mm
Otvor za osovinu Ø	20 mm
Duzina glavicine.	60 mm
Temperatura	- 20 / + 85 °C
Standard	EN 12532
Tezina	0.922 kg
Tvrdoca omotaca	Shore A 68
Dinamicka nosivost.	300 kg
Staticka nosivost.	600 kg

Dimensions



Advantages at a glance

Otpor okretanju	● ● ● ○ ○
Buka pri okretanju	● ● ● ○ ○
trenje , habanje	● ● ● ○ ○
zastita od korozije	● ● ● ○ ○

Structure & Mounting

