

ELASTECH

IEP160x50-Ø20

EAN 4031582319705

Telo tocka od aluminijuma , Omotac: crna elasticka guma, vulkanizirana , precizni kuglicni lezaj

TENTE

BETTER MOBILITY. BETTER LIFE.

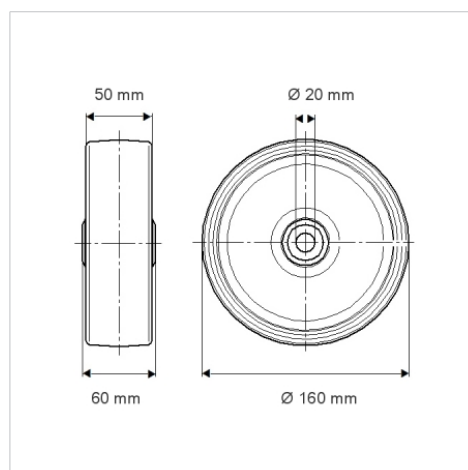


Picture may differ from original product

Tehnicki podaci

Precnik tocka.	160 mm
Sirina gazista.	50 mm
Otvor za osovinu \varnothing	20 mm
Duzina glavicine.	60 mm
Temperatura	- 20 / + 85 °C
Standard	EN 12532
Tezina	1.31 kg
Tvrdoca omotaca	Shore A 68
Dinamicka nosivost.	350 kg
Staticka nosivost.	700 kg

Dimensions



Advantages at a glance

Otpor okretanju	● ● ● ○ ○
Buka pri okretanju	● ● ● ○ ○
trenje , habanje	● ● ● ○ ○
zastita od korozije	● ● ● ○ ○

Structure & Mounting

