

# ELASTECH

IEP250x50-Ø20

EAN 4031582319750

Telo tocka od aluminijuma , Omotac: crna elasticka guma, vulkanizirana , precizni kuglicni lezaj

**TENTE**

BETTER MOBILITY. BETTER LIFE.

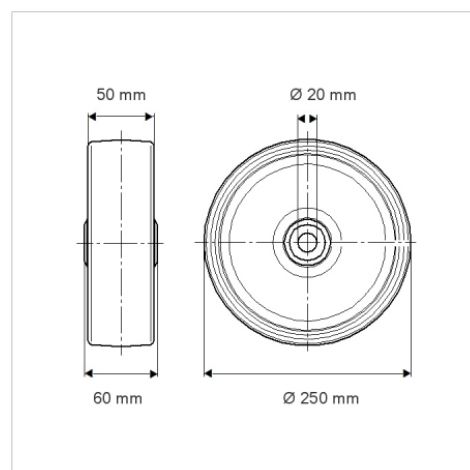


Picture may differ from original product

## Tehnicki podaci

Precnik tocka.	250 mm
Sirina gazista.	50 mm
Otvor za osovinu Ø	20 mm
Duzina glavicine.	60 mm
Temperatura	- 20 / + 85 °C
Standard	EN 12532
Tezina	2.37 kg
Tvrdoca omotaca	Shore A 68
Dinamicka nosivost.	500 kg
Staticka nosivost.	1000 kg

## Dimensions



## Advantages at a glance

Otpor okretanju	● ● ● ○ ○
Buka pri okretanju	● ● ● ○ ○
trenje , habanje	● ● ● ○ ○
zastita od korozije	● ● ● ○ ○

## Structure & Mounting

