

NOVATECH

ITP100x40-Ø8 HL45 incl. axle accessory

EAN 4031582070293

Telo točka od aluminijuma, Omotac: Poliuretan , liven, precizni kuglicni lezaj



BETTER MOBILITY. BETTER LIFE.

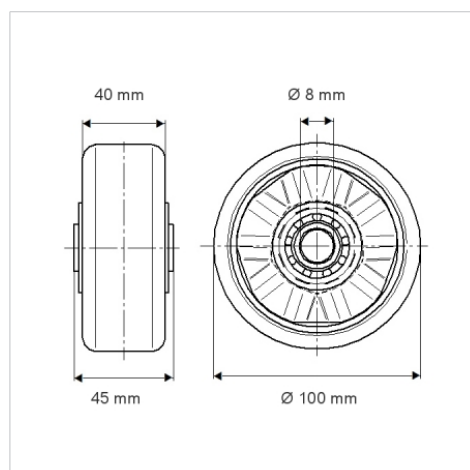


Picture may differ from original product

Tehnicki podaci

Precnik tocka.	100 mm
Sirina gazista.	40 mm
Otvor za osovinu Ø	8 mm
Duzina glavicine.	45 mm
Temperatura	- 10 / + 60 °C
Standard	EN 12532
Tezina	0.502 kg
Tvrdoca omotaca	Shore D 42
Dinamicka nosivost.	300 kg
Staticka nosivost.	600 kg

Dimensions



Advantages at a glance

Otpor okretanju	● ● ● ○ ○
Buka pri okretanju	● ● ● ○ ○
trenje , habanje	● ● ● ● ○
zastita od korozije	● ● ● ○ ○