

NOVATECH

ITP200x50-Ø20 flat

EAN 4031582070330

Telo točka od aluminijuma, Omotac: Poliuretan , liven, precizni kuglicni lezaj

TENTE

BETTER MOBILITY. BETTER LIFE.



Picture may differ from original product

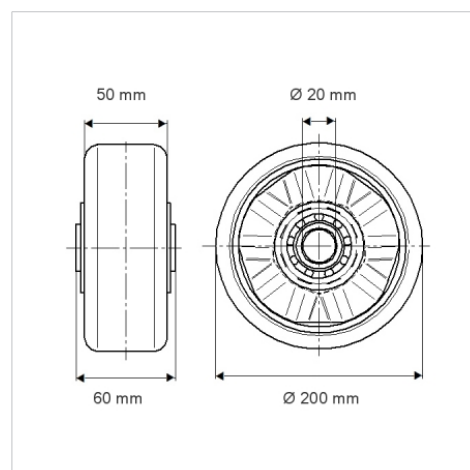
Tehnicki podaci

Precnik točka.	200 mm
Sirina gazista.	50 mm
Otvor za osovinu Ø	20 mm
Duzina glavcine.	60 mm
Temperatura	- 10 / + 60 °C
Standard	EN 12532
Tezina	1.29 kg
Tvrdoća omotaca	Shore D 42
Dinamička nosivost.	800 kg
Statika nosivost.	1600 kg

Advantages at a glance

Otpor okretanju	● ● ● ○ ○
Buka pri okretanju	● ● ● ○ ○
trenje , habanje	● ● ● ● ○
zastita od korozije	● ● ● ○ ○

Dimensions



Structure & Mounting

