

# NOVATECH

ITP250x55-Ø25 flat

EAN 4031582319934

Wheel center made of Aluminum, Tread: Polyurethane, casted, precision ball bearing



BETTER MOBILITY. BETTER LIFE.

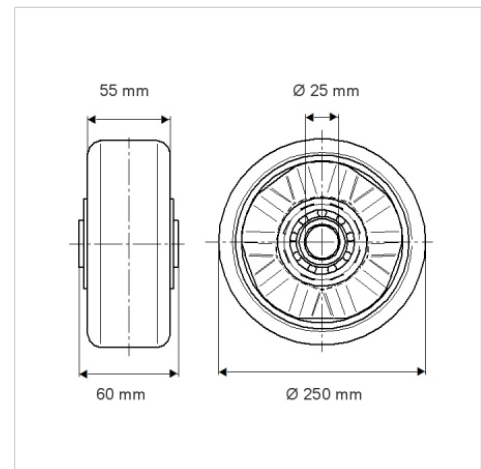


Picture may differ from original product

## Technical Data

|                         |                |
|-------------------------|----------------|
| Wheel diameter          | 250 mm         |
| Wheel width             | 55 mm          |
| Axle Hole-Ø             | 25 mm          |
| Hub length              | 60 mm          |
| Temperature             | - 10 / + 60 °C |
| Standard                | EN 12532       |
| Weight                  | 2.316 kg       |
| Hardness of tread       | Shore D 42     |
| Load capacity (dynamic) | 1000 kg        |
| Load capacity (static)  | 2000 kg        |

## Dimensions



## Advantages at a glance

|                      |           |
|----------------------|-----------|
| Roll performance     | ● ● ● ○ ○ |
| Movement noise       | ● ● ● ○ ○ |
| Attrition            | ● ● ● ○ ○ |
| Corrosion resistance | ● ● ● ○ ○ |

## Structure & Mounting

