

NOVATECH

ITP250x55-Ø25 flat

EAN 4031582319934

Telo tocka od aluminijuma, Omotac: Poliuretan , liven, precizni kuglicni lezaj

TENTE

BETTER MOBILITY. BETTER LIFE.

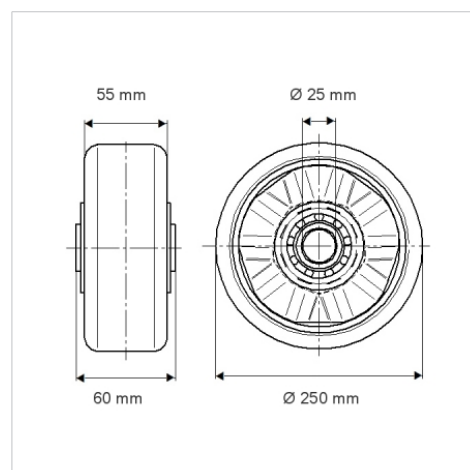


Picture may differ from original product

Tehnicki podaci

Precnik tocka.	250 mm
Sirina gazista.	55 mm
Otvor za osovinu Ø	25 mm
Duzina glavnice.	60 mm
Temperatura	- 10 / + 60 °C
Standard	EN 12532
Tezina	2.316 kg
Tvrdoca omotaca	Shore D 42
Dinamicka nosivost.	1000 kg
Staticka nosivost.	2000 kg

Dimensions



Advantages at a glance

Otpor okretanju	● ● ● ○ ○
Buka pri okretanju	● ● ● ○ ○
trenje , habanje	● ● ● ● ○
zastita od korozije	● ● ● ○ ○

Structure & Mounting

