

ELASTECH

JFC150x32-Ø8

EAN 4031582319958

Wheel centre made of zinc-die-casting, Tread: elastic tyre, non-marking, vulcanized, with threadguards, precision ball bearing, stainless



BETTER MOBILITY. BETTER LIFE.

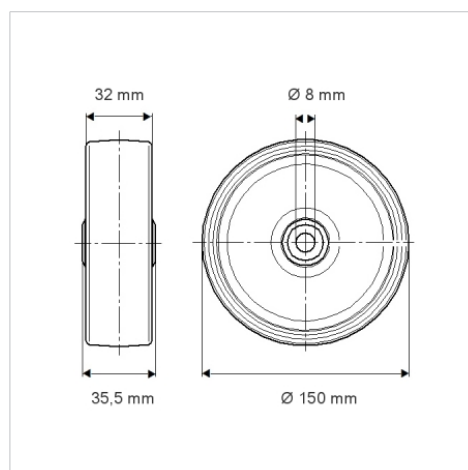


Picture may differ from original product

Technical Data

Wheel diameter	150 mm
Wheel width	32 mm
Axle Hole-Ø	8 mm
Hub length	35.5 mm
Temperature	- 20 / + 85 °C
Standard	EN 12530
Weight	0.926 kg
Hardness of tread	Shore A 75
Load capacity	150 kg
Load capacity (static)	300 kg

Dimensions



Advantages at a glance

Roll performance	● ● ● ○ ○
Movement noise	● ● ● ○ ○
Attrition	● ● ● ○ ○
Corrosion resistance	● ● ● ○ ○