

DURATECH PLUS

MOP100x50-Ø20

EAN 4031582320008

Wheel center made of Polyamide, extra-heavy duty model, precision ball bearing



BETTER MOBILITY. BETTER LIFE.

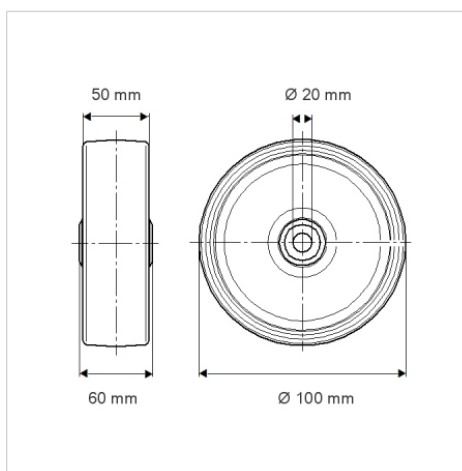


Picture may differ from original product

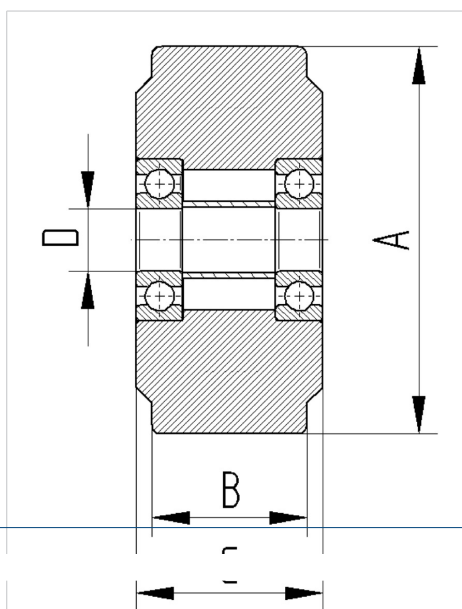
Technical Data

Wheel diameter	100 mm
Wheel width	50 mm
Axle Hole-Ø	20 mm
Hub length	60 mm
Temperature	- 40 / + 80 °C
Standard	EN 12533
Weight	0.702 kg
Hardness of tread	Shore D 75
Bearing	6304 No.
Load capacity (dynamic)	1400 kg
Load capacity (static)	2800 kg

Dimensions



Structure & Mounting



Advantages at a glance

Roll performance	● ● ● ● ●
Movement noise	● ● ● ○ ○
Attrition	● ● ● ● ●
Corrosion resistance	● ● ● ○ ○