

# DURATECH PLUS

MOP150x50-Ø30

EAN 4031582320022

Wheel center made of Polyamide, extra-heavy duty model, precision ball bearing



BETTER MOBILITY. BETTER LIFE.

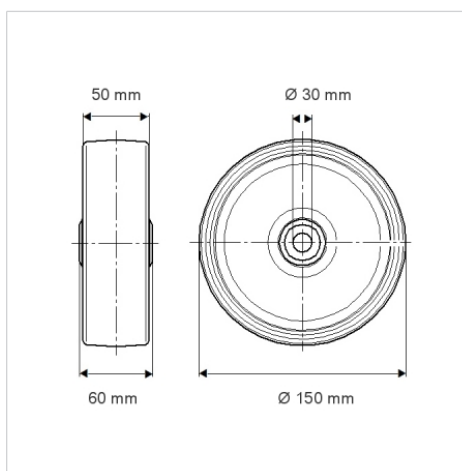


Picture may differ from original product

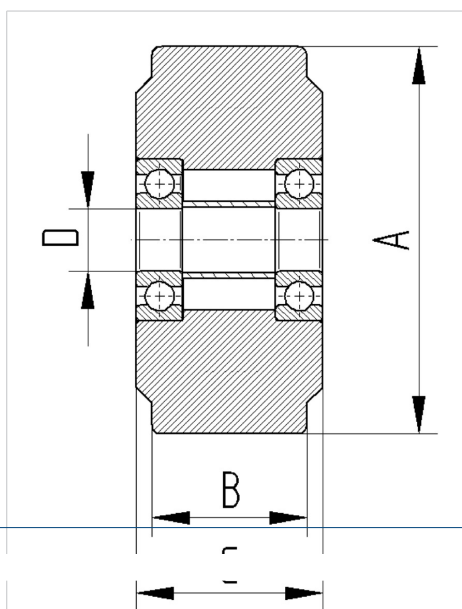
## Technical Data

Wheel diameter	150 mm
Wheel width	50 mm
Axle Hole-Ø	30 mm
Hub length	60 mm
Temperature	- 40 / + 80 °C
Standard	EN 12533
Weight	1.446 kg
Hardness of tread	Shore D 75
Bearing	6306 No.
Load capacity (dynamic)	2100 kg
Load capacity (static)	4200 kg

## Dimensions



## Structure & Mounting



## Advantages at a glance

Roll performance	● ● ● ● ●
Movement noise	● ● ● ○ ○
Attrition	● ● ● ● ●
Corrosion resistance	● ● ● ○ ○