

# SUPRATECH

PJI050x19-Ø6

EAN 4031582320404

Telo tocka od polipropilena , Omotac: TENTEprene (termoplasticna guma), siva - ne ostavlja trag , obican lezaj

# TENTE

BETTER MOBILITY. BETTER LIFE.

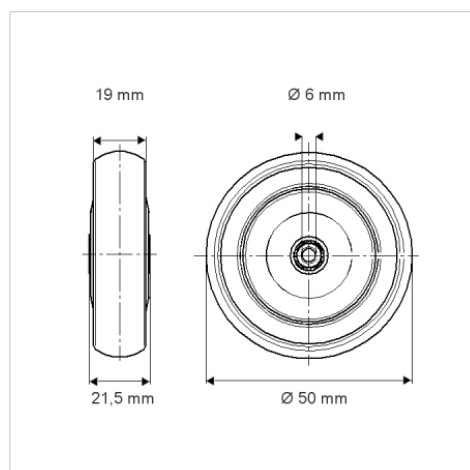


Picture may differ from original product

## Tehnicki podaci

Precnik tocka.	50 mm
Sirina gazista.	19 mm
Otvor za osovinu Ø	6 mm
Duzina glavcine.	21.5 mm
Temperatura	- 20 / + 60 °C
Standard	EN 12530
Tezina	0.021 kg
Tvrdoca omotaca	Shore A 87
Dinamicka nosivost.	40 kg
Staticka nosivost.	80 kg

## Dimensions



## Advantages at a glance

Otpor okretanju	● ● ● ○ ○
Buka pri okretanju	● ● ● ○ ○
trenje , habanje	● ● ● ○ ○
zastita od korozije	● ● ● ○ ○