

# SUPRATECH

PJO100x32-Ø12

EAN 4031582070224

Wheel centre made of Polypropylene, Tread: TENTEprene (thermoplastic rubber), grey non-marking, plain bearing



BETTER MOBILITY. BETTER LIFE.

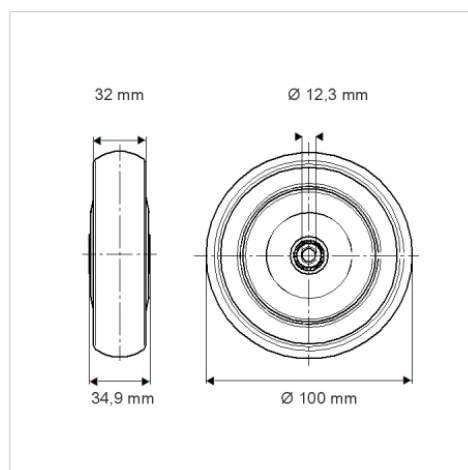


Picture may differ from original product

## Technical Data

|                        |                |
|------------------------|----------------|
| Wheel diameter         | 100 mm         |
| Wheel width            | 32 mm          |
| Axle Hole-Ø            | 12.3 mm        |
| Hub length             | 34.9 mm        |
| Temperature            | - 20 / + 60 °C |
| Standard               | EN 12530       |
| Weight                 | 0.126 kg       |
| Hardness of tread      | Shore A 87     |
| Load capacity          | 80 kg          |
| Load capacity (static) | 160 kg         |

## Dimensions



## Advantages at a glance

|                      |           |
|----------------------|-----------|
| Roll performance     | ● ● ● ○ ○ |
| Movement noise       | ● ● ● ○ ○ |
| Attrition            | ● ● ● ○ ○ |
| Corrosion resistance | ● ● ● ○ ○ |