

# SUPRATECH

PJO125x32-Ø12

EAN 4031582070231

Wheel center made of Polypropylene, Tread: TENTEprene (thermoplastic rubber), grey non-marking, plain bearing



BETTER MOBILITY. BETTER LIFE.

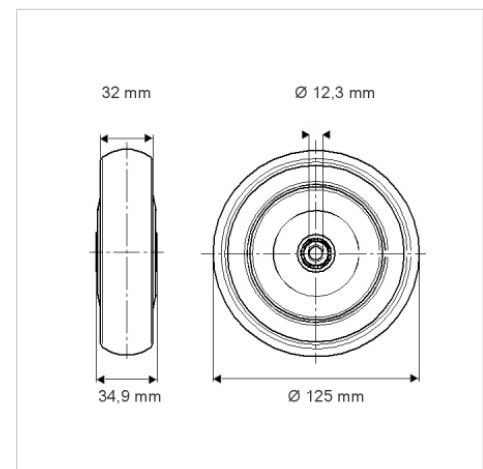


Picture may differ from original product

## Technical Data

|                         |                |
|-------------------------|----------------|
| Wheel diameter          | 125 mm         |
| Wheel width             | 32 mm          |
| Axle Hole-Ø             | 12.3 mm        |
| Hub length              | 34.9 mm        |
| Temperature             | - 20 / + 60 °C |
| Standard                | EN 12530       |
| Weight                  | 0.199 kg       |
| Hardness of tread       | Shore A 87     |
| Load capacity (dynamic) | 100 kg         |
| Load capacity (static)  | 200 kg         |

## Dimensions



## Advantages at a glance

|                      |           |
|----------------------|-----------|
| Roll performance     | ● ● ● ○ ○ |
| Movement noise       | ● ● ● ○ ○ |
| Attrition            | ● ● ● ○ ○ |
| Corrosion resistance | ● ● ● ○ ○ |