

SUPRATECH

PJO125x32-Ø12

EAN 4031582070231

Telo tocka od polipropilena , Omotac: TENTEprene (termoplasticna guma), siva - ne ostavlja trag , obican lezaj

TENTE

BETTER MOBILITY. BETTER LIFE.

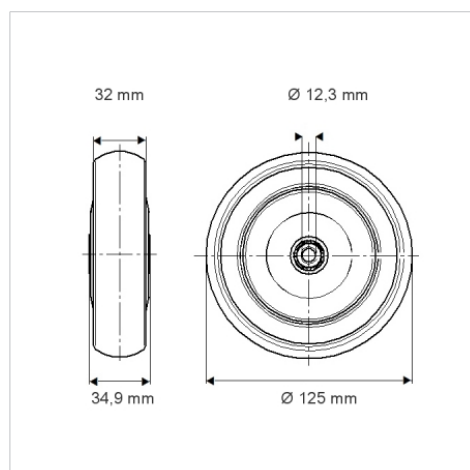


Picture may differ from original product

Tehnicki podaci

Precnik tocka.	125 mm
Sirina gazista.	32 mm
Otvor za osovinu Ø	12.3 mm
Duzina glavicine.	34.9 mm
Temperatura	- 20 / + 60 °C
Standard	EN 12530
Tezina	0.199 kg
Tvrdoca omotaca	Shore A 87
Dinamicka nosivost.	100 kg
Staticka nosivost.	200 kg

Dimensions



Advantages at a glance

Otpor okretanju	● ● ● ○ ○
Buka pri okretanju	● ● ● ○ ○
trenje , habanje	● ● ● ○ ○
zastita od korozije	● ● ● ○ ○