

SUPRATECH

PJR100x32-Ø12 HL34,9

EAN 4031582320510

Wheel center made of Polypropylene, Tread: TENTEprene (thermoplastic rubber), grey non-marking, roller bearing



BETTER MOBILITY. BETTER LIFE.

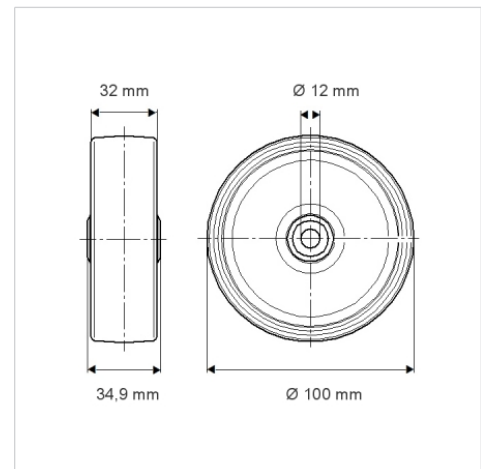


Picture may differ from original product

Technical Data

| | |
|-------------------------|----------------|
| Wheel diameter | 100 mm |
| Wheel width | 32 mm |
| Axle Hole-Ø | 12 mm |
| Hub length | 34.9 mm |
| Temperature | - 20 / + 60 °C |
| Standard | EN 12530 |
| Weight | 0.156 kg |
| Hardness of tread | Shore A 87 |
| Load capacity (dynamic) | 100 kg |
| Load capacity (static) | 200 kg |

Dimensions



Advantages at a glance

| | |
|----------------------|-----------|
| Roll performance | ● ● ● ○ ○ |
| Movement noise | ● ● ● ○ ○ |
| Attrition | ● ● ● ○ ○ |
| Corrosion resistance | ● ● ● ○ ○ |