

# BASETECH

POI038x20-Ø6

EAN 4031582320695

Wheel centre made of Polypropylene, plain bearing



BETTER MOBILITY. BETTER LIFE.

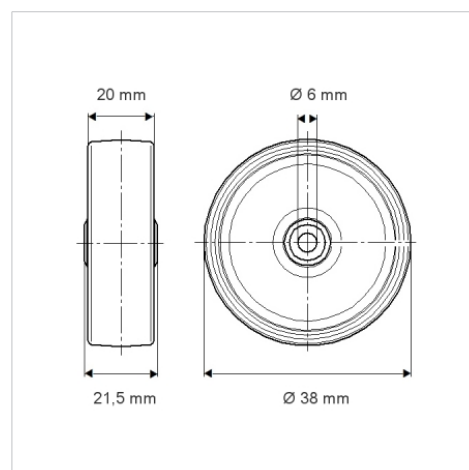


Picture may differ from original product

## Technical Data

|                        |                |
|------------------------|----------------|
| Wheel diameter         | 38 mm          |
| Wheel width            | 20 mm          |
| Axle Hole-Ø            | 6 mm           |
| Hub length             | 21.5 mm        |
| Temperature            | - 20 / + 60 °C |
| Standard               | EN 12530       |
| Weight                 | 0.008 kg       |
| Hardness of tread      | Shore D 65     |
| Load capacity          | 35 kg          |
| Load capacity (static) | 70 kg          |

## Dimensions



## Advantages at a glance

|                      |           |
|----------------------|-----------|
| Roll performance     | ● ● ● ○ ○ |
| Movement noise       | ● ● ● ○ ○ |
| Attrition            | ● ● ● ● ● |
| Corrosion resistance | ● ● ● ○ ○ |