

# BASETECH

POI038x20-Ø6

EAN 4031582320695

Wheel center made of Polypropylene, plain bearing



BETTER MOBILITY. BETTER LIFE.

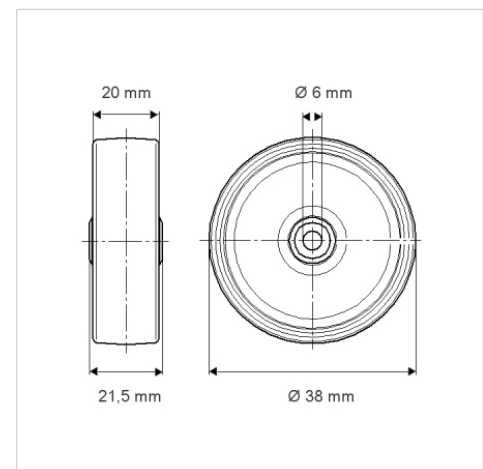


Picture may differ from original product

## Technical Data

Wheel diameter	38 mm
Wheel width	20 mm
Axle Hole-Ø	6 mm
Hub length	21.5 mm
Temperature	- 20 / + 60 °C
Standard	EN 12530
Weight	0.008 kg
Hardness of tread	Shore D 65
Load capacity (dynamic)	35 kg
Load capacity (static)	70 kg

## Dimensions



## Advantages at a glance

Roll performance	● ● ● ○ ○
Movement noise	● ● ● ○ ○
Attrition	● ● ● ● ●
Corrosion resistance	● ● ● ○ ○