

BASETECH

POI038x20-Ø6

EAN 4031582320695

Telo tocka od polipropilena, obican lezaj



BETTER MOBILITY. BETTER LIFE.

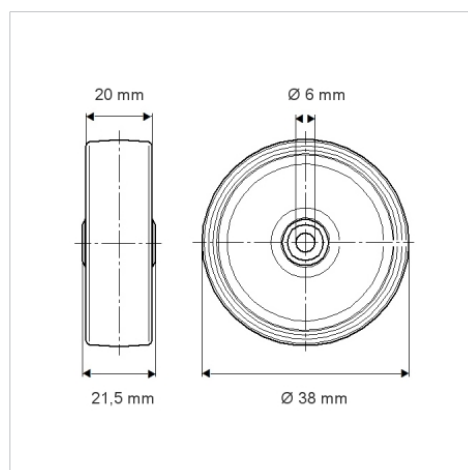


Picture may differ from original product

Tehnicki podaci

Precnik tocka.	38 mm
Sirina gazista.	20 mm
Otvor za osovinu \varnothing	6 mm
Duzina glavicine.	21.5 mm
Temperatura	- 20 / + 60 °C
Standard	EN 12530
Tezina	0.008 kg
Tvrdoca omotaca	Shore D 65
Dinamicka nosivost.	35 kg
Staticka nosivost.	70 kg

Dimensions



Advantages at a glance

Otpor okretanju	● ● ● ○ ○
Buka pri okretanju	● ● ● ○ ○
trenje , habanje	● ● ● ● ●
zastita od korozije	● ● ● ○ ○