

# BASETECH

POI050x20-Ø6

EAN 4031582320701

Telo tocka od polipropilena, obican lezaj



BETTER MOBILITY. BETTER LIFE.

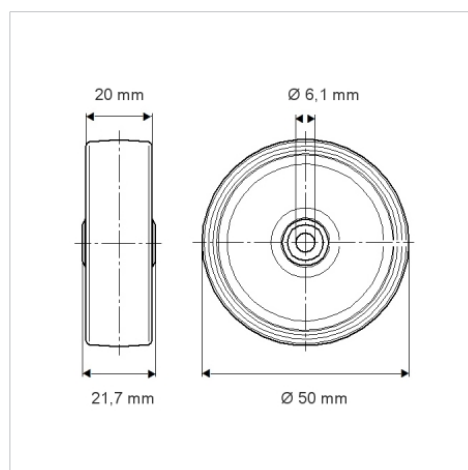


Picture may differ from original product

## Tehnicki podaci

Precnik tocka.	50 mm
Sirina gazista.	20 mm
Otvor za osovinu Ø	6.1 mm
Duzina glavicine.	21.7 mm
Temperatura	- 20 / + 60 °C
Standard	EN 12530
Tezina	0.016 kg
Tvrdoca omotaca	Shore D 65
Dinamicka nosivost.	35 kg
Staticka nosivost.	70 kg

## Dimensions



## Advantages at a glance

Otpor okretanju	● ● ● ○ ○
Buka pri okretanju	● ● ● ○ ○
trenje , habanje	● ● ● ● ●
zastita od korozije	● ● ● ○ ○