

BASETECH

POO075x25-Ø8

EAN 4031582320725

Telo tocka od polipropilena, obican lezaj



BETTER MOBILITY. BETTER LIFE.

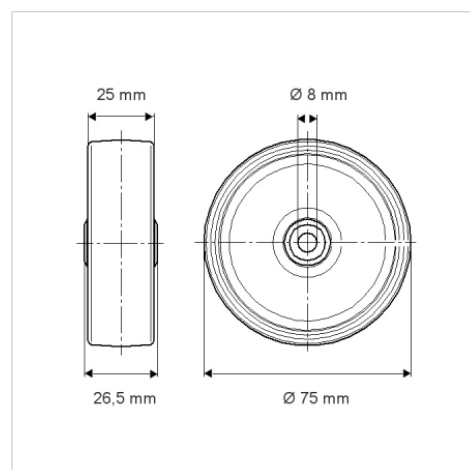


Picture may differ from original product

Tehnicki podaci

Precnik tocka.	75 mm
Sirina gazista.	25 mm
Otvor za osovinu Ø	8 mm
Duzina glavicine.	26.5 mm
Temperatura	- 20 / + 60 °C
Standard	EN 12530
Tezina	0.045 kg
Tvrdoca omotaca	Shore D 65
Dinamicka nosivost.	50 kg
Staticka nosivost.	100 kg

Dimensions



Advantages at a glance

Otpor okretanju	● ● ● ○ ○
Buka pri okretanju	● ● ● ○ ○
trenje , habanje	● ● ● ● ●
zastita od korozije	● ● ● ○ ○